

J SFSNK EF WHT

JAVA Tap Range Java Single Flow Easyfit Mono Sink Mixer White



Specification

Product Type:	Kitchen Taps
Main Construction Material:	Brass
Mount Type:	Deck Mounted
Handle Type:	Lever
Connection Inlet:	1/2" BSP Flexible Tails
Connection Outlet:	
Number of Tap Holes:	1
Valve/Cartridge Type:	Ceramic Cartridge
Plumbing System Requirements:	All, Preferably Balanced
Working Pressure Range:	Min 0.3 Bar, Max 5.0 Bar
Maximum Hot Water Temperature: °C	65
Maximum Static Pressure: (bar)	10
Flow Type:	Single Flow
Isolation Included:	Yes

Features:

- Long life ceramic cartridge for added durability and ease of use
- Metal fixing nut for added durability
- Easyfit base included
- Flexible tails included
- Supplied with easy to use metal lever handle

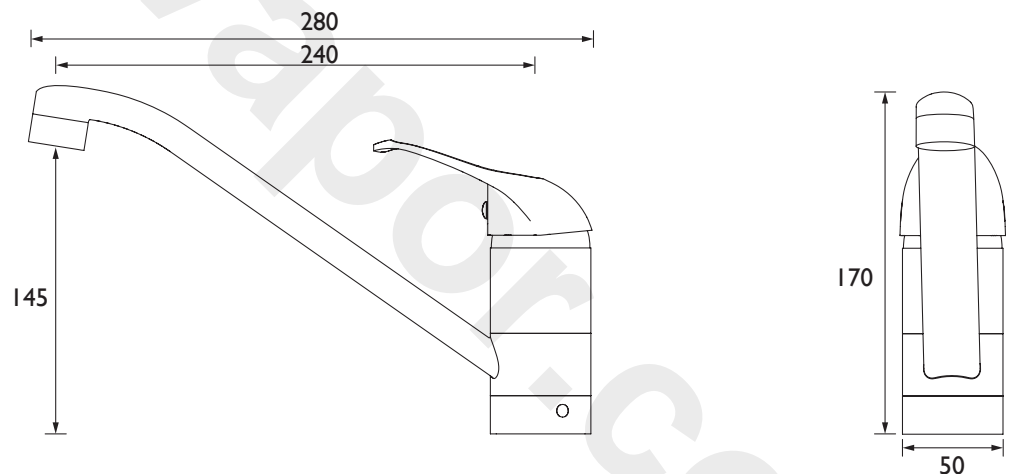
Product Certifications:



WRAS Expiry Date : 31/07/2020
WRAS Certificate Number : 1507951



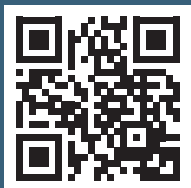
Dimensions (measurements in mm)



Flow Rates (l/min)

System Pressure (bar)	0.2	0.5	1	2	3	5
J SFSNK EF WHT	8.9	11.4	16.2	22.9	28	36.2

For more products, visit our website:
<http://www.bristan.com>



TECHNICAL
DATA
SHEET



BRISTAN
TAPS & SHOWERS

D7